



# Ritmo

PLASTIC WELDING TECHNOLOGY





RITMO S.P.A. is a 30 year experienced company and leader in manufacturing of plastic welding equipment. All products are designed and built according to International standards and directives (UNI, ISO, CEE). Since the very beginning, quality and technology innovation are RITMO's milestones, and time after time, this philosophy is always more recognized by the global market. RITMO strong points are its ideas to design and produce accurate, fast, versatile, modular and easy-to-use welding machines. Products range includes butt fusion, electrofusion and extrusion equipment. Ritmo is also providing a complete line of accessories and useful instruments for pipe cutting and weld preparation such as the band saws. RITMO's regards towards the client has brought to the new-born "RITMO FUSION OPERATOR SCHOOL", which is a welding school with the goal of building qualified personnel and spread the knowledge about the technical potentiality of RITMO's equipment: TECHNOLOGY MADE IN ITALY.



**ISO 9001  
Quality System**

...the result of  
our joint  
efforts



# ALFA 1000







**ASK FOR A QUOTATION**

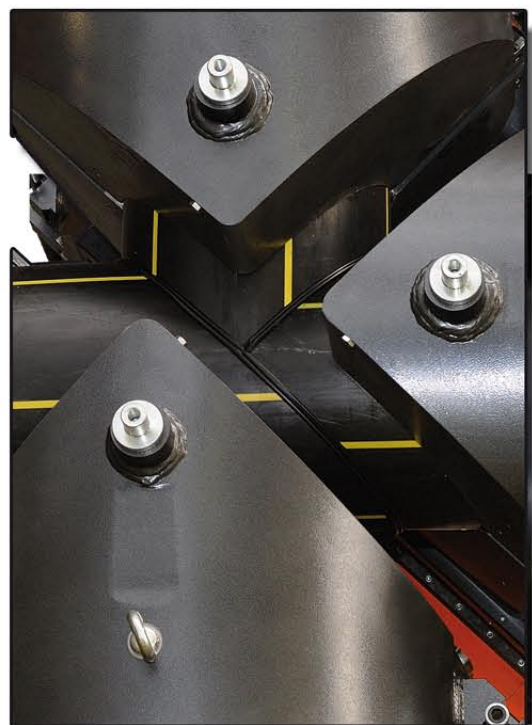


Workshop welding machine designed to fabricate fittings like elbows, wyes, tees and crosses up to Ø 1000 mm. The **ALFA 1000** welding plastic materials such as: HDPE, PP.\*

## STANDARD COMPOSITION:

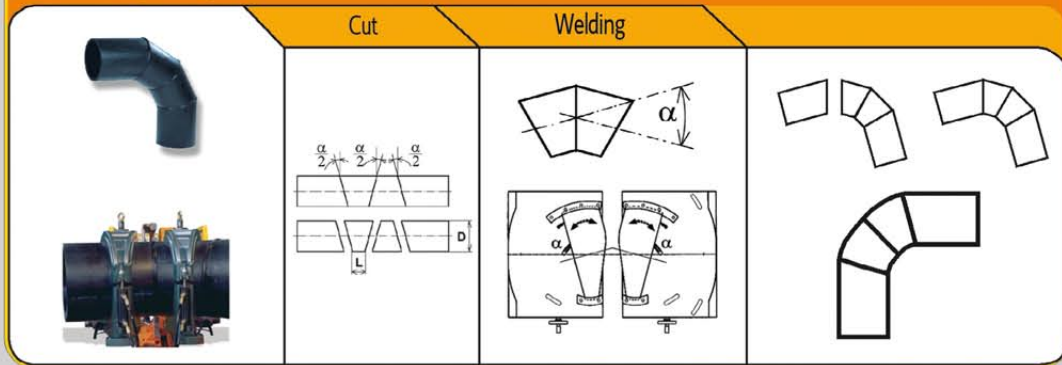
- **A machine body** with two hydraulically controlled carriages.
- **A control panel** that features the **Easy Life system**, thanks to which it is possible to carry out a whole welding cycle in a simple, intuitive and repeatable way, so that the operator's interference would be reduced to the minimum. It is possible to transfer the welding data to a PC.
- **A milling cutter** with hydraulic movement (in/out).
- **A Teflon-coated heating plate** with hydraulic movement (in/out).

ELBOWS		400 ÷ 1000 mm 0 ÷ 60°
WYES (Y)		400 ÷ 800 mm 45° ÷ 60°
TEES		400 ÷ 800 mm
CROSSES		400 ÷ 800 mm
Materials	HDPE, PP <small>*for other plastic materials contact RITMO spa</small>	

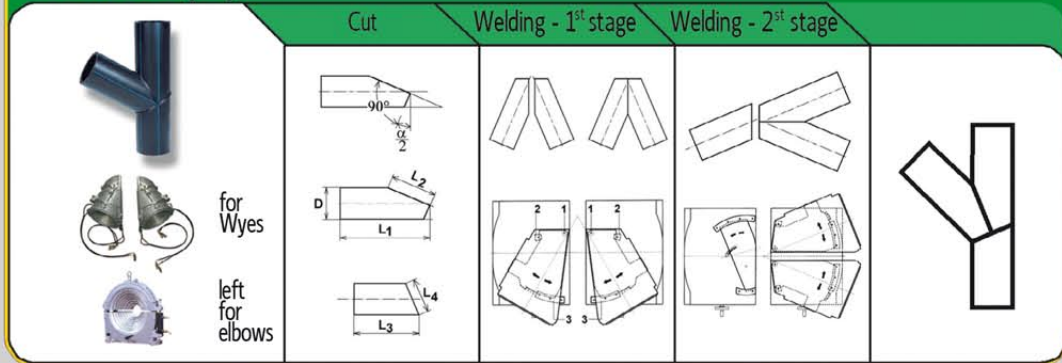


# HOW TO FABRICATE A SPECIAL FITTING

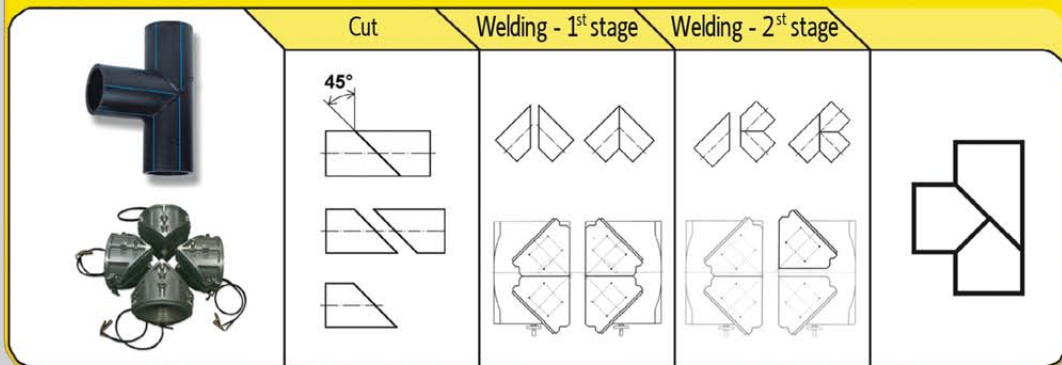
## ELBOWS



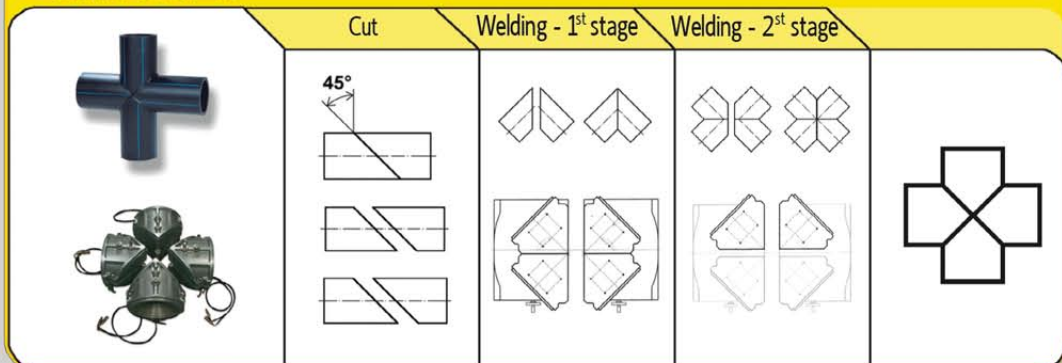
## WYES (Y)



## TEES



## CROSSES





# Ritmo

PLASTIC WELDING TECHNOLOGY

WHERE THERE'S PLASTIC TO WELD



CONTACT RITMO!

# **BASIC LINE**

## **BUTT FUSION MACHINES**



**RITMO S.p.A.**  
Via A. Volta, 7 35037  
Bressano di Teolo (PADOVA) ITALY

Ph. +39 049 9901888  
Fax +39 049 9901993

[info@ritmo.it](mailto:info@ritmo.it)  
[www.ritmo.it](http://www.ritmo.it)