



Ritmo

PLASTIC WELDING TECHNOLOGY





RITMO S.P.A. is a 30 year experienced company and leader in manufacturing of plastic welding equipment. All products are designed and built according to International standards and directives (UNI, ISO, CEE). Since the very beginning, quality and technology innovation are RITMO's milestones, and time after time, this philosophy is always more recognized by the global market. RITMO strong points are its ideas to design and produce accurate, fast, versatile, modular and easy-to-use welding machines. Products range includes butt fusion, electrofusion and extrusion equipment. Ritmo is also providing a complete line of accessories and useful instruments for pipe cutting and weld preparation such as the band saws. RITMO's regards towards the client has brought to the new-born "RITMO FUSION OPERATOR SCHOOL", which is a welding school with the goal of building qualified personnel and spread the knowledge about the technical potentiality of RITMO's equipment: TECHNOLOGY MADE IN ITALY.



**ISO 9001
Quality System**

...the result of
our joint
efforts









ALFA 315

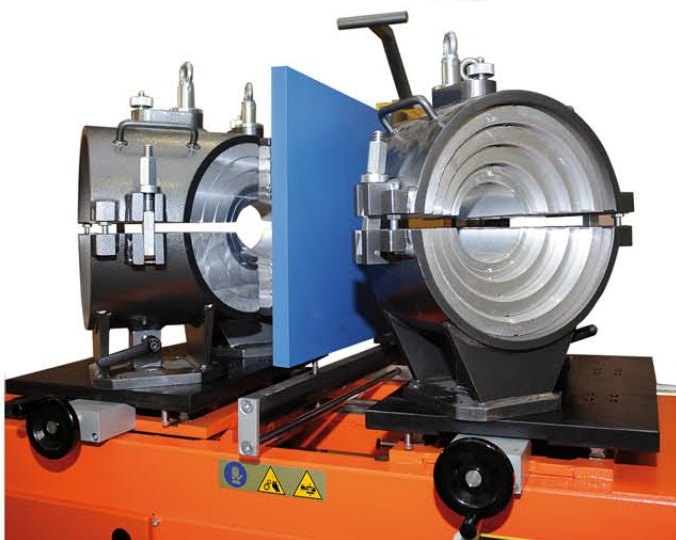


Workshop welding machine designed to fabricate fittings like elbows, tees, crosses and wyes up to Ø 315 mm, by joining pipe segments, with the help of special jaws. The **ALFA 315** welding plastic materials such as: HDPE, PP.*

STANDARD COMPOSITION:

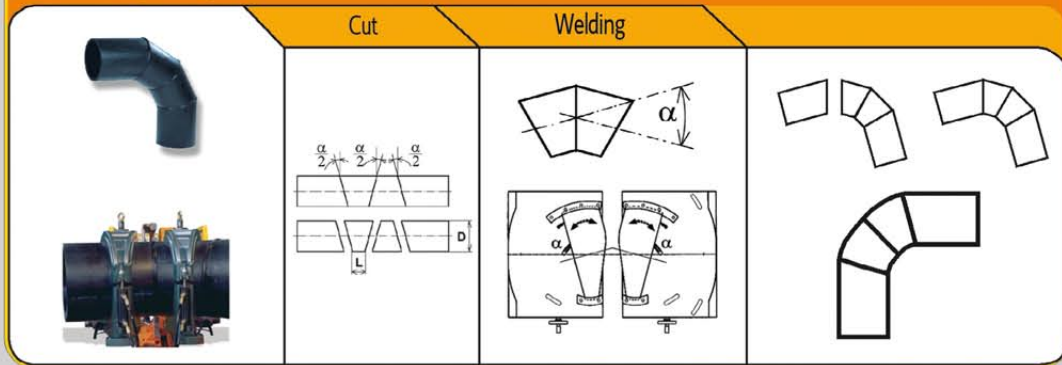
- **A machine body** with two carriages, one of which driven by a hydraulic system.
- **A control panel** that features the Easy Life system, thanks to which it is possible to carry out a whole welding cycle in a simple, intuitive and repeatable way, so that the operator's interference would be reduced to the minimum. It is possible to transfer the welding data to a PC.
- **A milling cutter** with hydraulic movement (in/out).
- **A Teflon-coated heating plate** with hydraulic movement (in/out).

ELBOWS		90 + 315 mm 0 + 60°
WYES (Y)		90 + 250 mm 45° + 60°
TEES		90 + 250 mm
CROSSES		90 + 250 mm
Materials		HDPE, PP <small>*for other plastic materials contact RITMO spa</small>

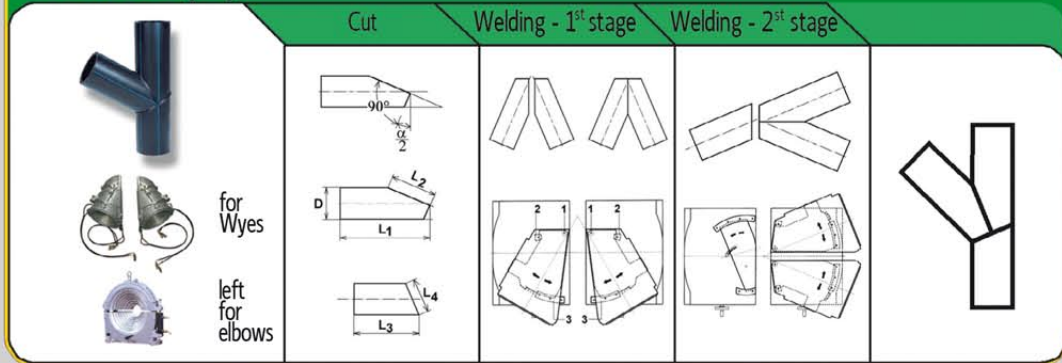


HOW TO FABRICATE A SPECIAL FITTING

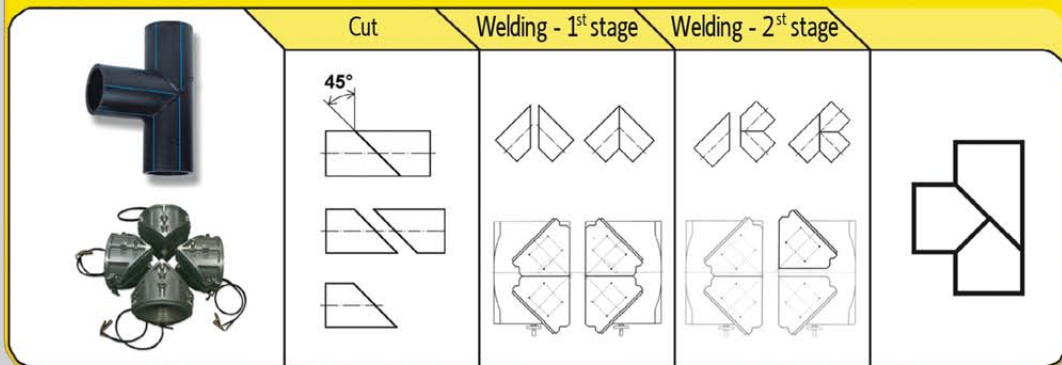
ELBOWS



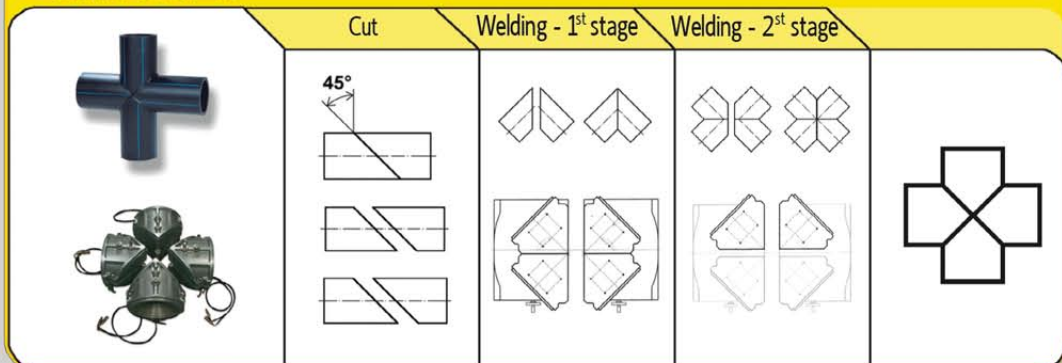
WYES (Y)



TEES



CROSSES





Ritmo
PLASTIC WELDING TECHNOLOGY

WHERE THERE'S PLASTIC TO WELD



CONTACT RITMO!

BASIC LINE

BUTT FUSION MACHINES



RITMO S.p.A.
Via A. Volta, 7 35037
Bressano di Teolo (PADOVA) ITALY

Ph. +39 049 9901888
Fax +39 049 9901993

info@ritmo.it
www.ritmo.it