



Ritmo

PLASTIC WELDING TECHNOLOGY





RITMO S.P.A. is a 30 year experienced company and leader in manufacturing of plastic welding equipment. All products are designed and built according to International standards and directives (UNI, ISO, CEE). Since the very beginning, quality and technology innovation are RITMO's milestones, and time after time, this philosophy is always more recognized by the global market. RITMO strong points are its ideas to design and produce accurate, fast, versatile, modular and easy-to-use welding machines. Products range includes butt fusion, electrofusion and extrusion equipment. Ritmo is also providing a complete line of accessories and useful instruments for pipe cutting and weld preparation such as the band saws. RITMO's regards towards the client has brought to the new-born "RITMO FUSION OPERATOR SCHOOL", which is a welding school with the goal of building qualified personnel and spread the knowledge about the technical potentiality of RITMO's equipment: TECHNOLOGY MADE IN ITALY.



**ISO 9001
Quality System**

...the result of
our joint
efforts



ALFA 400 M



This is a workshop welding machine designed to fabricate fittings like **elbows** (up to Ø 400 mm), **wyes** (Y), **tees** and **crosses** (up to Ø 315 mm) by joining pipe segments, with the help of special jaws.

The **ALFA 400 M** can also weld special and moulded fittings such as elbows, tees and flange necks, thanks to a different type of special jaws (controlled hydraulically). Composed of:

A machine body with two hydraulically controlled carriages; a **control panel** that features the **Easy Life system**, thanks to which it is possible to carry out a whole welding cycle in a simple, intuitive and repeatable way, so that the operator's interference would be reduced to the minimum. An in-built memory allows the machine to store the data of the welding cycles (including the set diameters and SDR). It is possible to transfer the welding data to a PC through a serial port (USB adaptor connector available) and data-management software. A printer can be connected to the serial port, to get a welding report at the end of each welding cycle. **A heating plate** featuring a new horizontal sliding system, automatically operated, which enables a fast side-sliding of the plate during the exchange period. The whole process is carried out with no need of disconnecting the upper cylinder, whenever it is in use. **A milling cutter** for levelling the ends of pipes and/or fittings that slides on recirculating ball slideways, with an electronic device for a soft start. **An upper cylinder**, to be positioned on the jaws, for welding extra thick pipes and/or whenever it's necessary to use high pressures. Available in 230 V and 400 V.





STANDARD COMPOSITION

Welding machine complete with:

- control panel;
- heating plate;
- milling cutter;
- upper cylinder and tool kit.

ON REQUEST (ACCESSORIES)

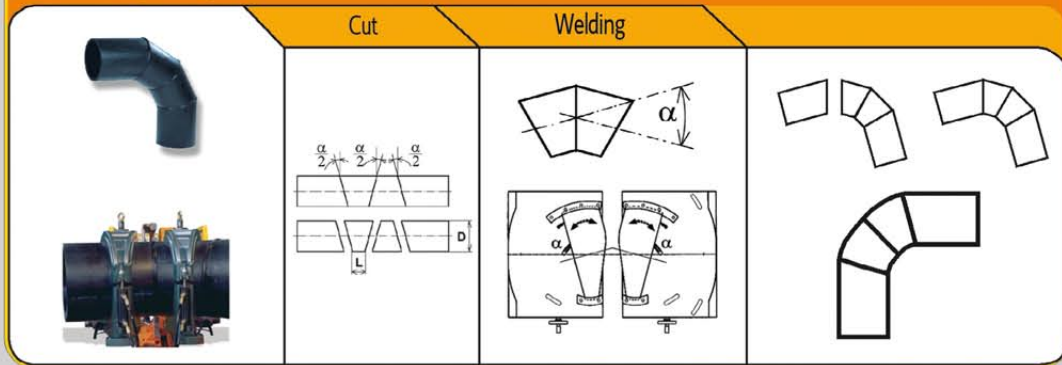
- Elbows jaws Ø 400mm; inserts from Ø 110 to Ø 355mm;
- Wyes jaws Ø 315mm; inserts from Ø 110 to Ø 280mm;
- Tees/crosses jaws Ø 315mm; inserts from Ø 110 to 280mm;
- Right or left special jaw Ø 400mm with Ø 315mm inserts;
- Right or left special jaw inserts from Ø 110 to Ø 355mm ;
- Tool for flange necks.

ELBOWS		110 ÷ 400 mm 0 ÷ 60°
WYES (Y)		110 ÷ 315 mm 45° ÷ 60°
TEES		110 ÷ 315 mm
CROSSES		110 ÷ 315 mm
Materials	HDPE, PP for other plastic materials contact RITMO spa	

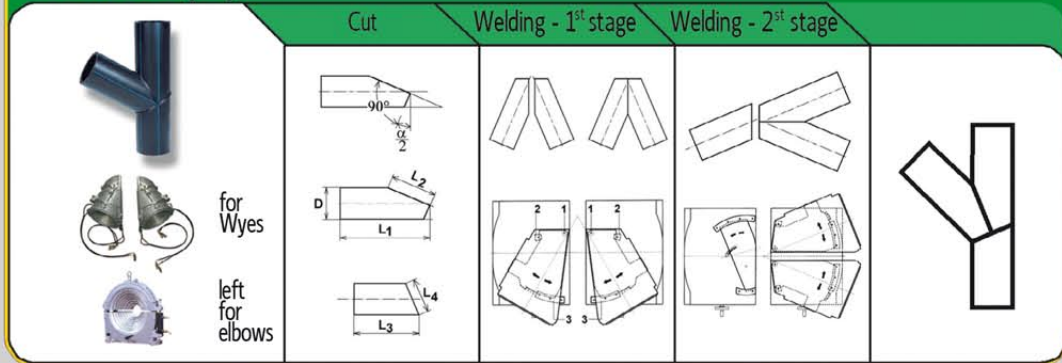
Power supply	230 W Single phase	400W 3F + N +PE
Total absorbed power	7360 W	7360 W
Working temperature	180 ÷ 280°C	
Room temperature range	-5 ÷ +40°C	
DIMENSIONS (W x D x H)		
Machine body	1490 x 2020 x 1700 mm	
WEIGHT		
Machine body	647 Kg	

HOW TO FABRICATE A SPECIAL FITTING

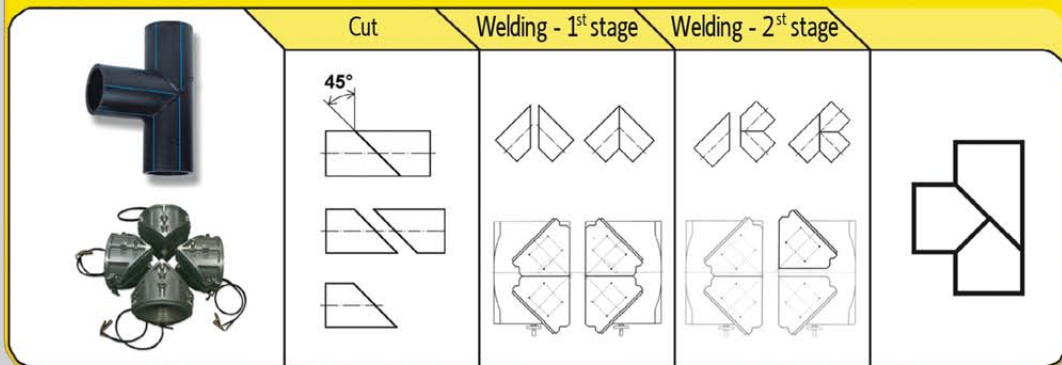
ELBOWS



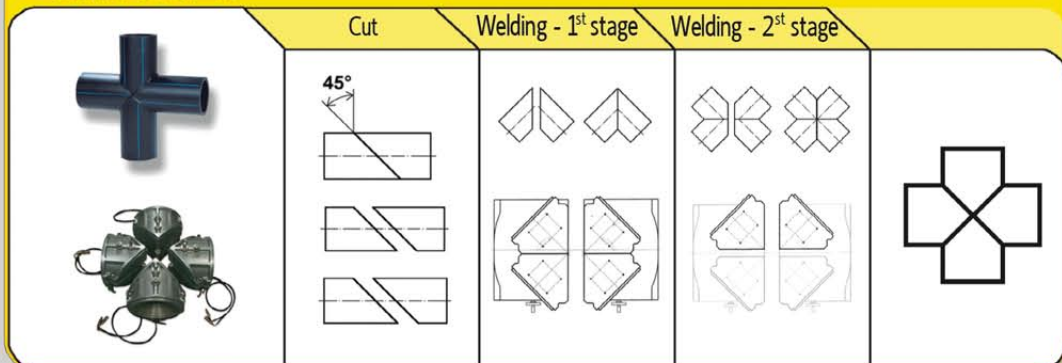
WYES (Y)



TEES



CROSSES





Ritmo
PLASTIC WELDING TECHNOLOGY

WHERE THERE'S PLASTIC TO WELD



CONTACT RITMO!

BASIC LINE

BUTT FUSION MACHINES



RITMO S.p.A.
Via A. Volta, 7 35037
Bressano di Teolo (PADOVA) ITALY

Ph. +39 049 9901888
Fax +39 049 9901993

info@ritmo.it
www.ritmo.it